

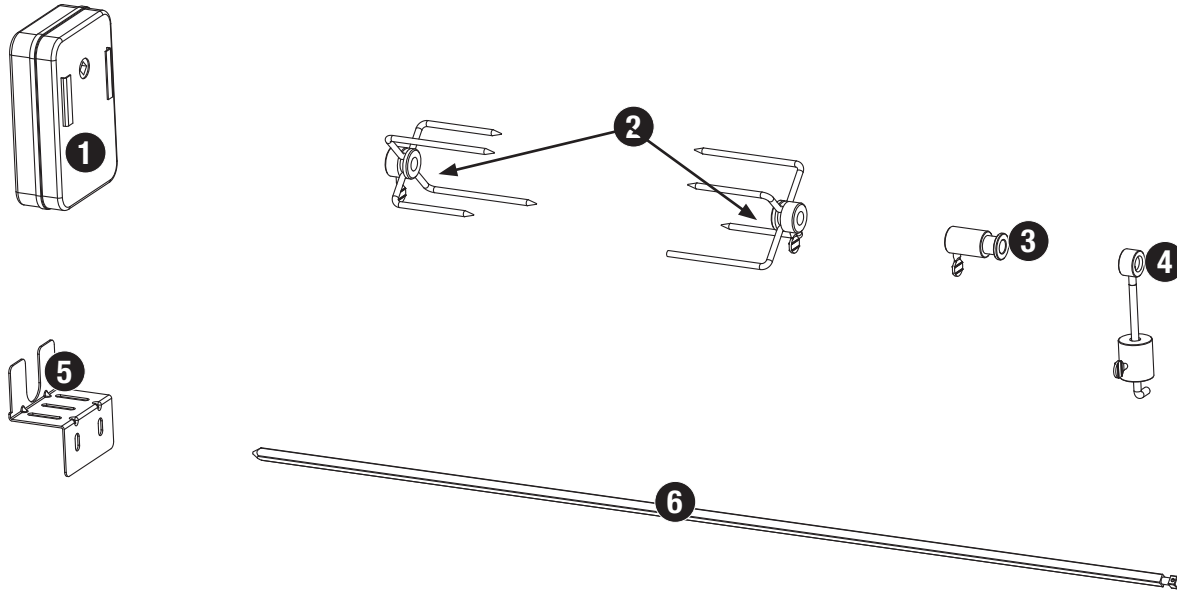
## UNIFLAME ROTISSERIE KIT

Model No. GR1700W-U (ASDA Spec Code: 505478106510.2019)

### Parts List

- 1 Rotisserie Motor
- 2 Rotisserie Fork (2)
- 3 Rotisserie Handle
- 4 Rotisserie Counterweight
- 5 Rotisserie Motor Support
- 6 Rotisserie Rod

### Expanded View



### Hardware

A	Screw	M6x16 Nickel Plated Phillips Truss Head	2 pcs
B	Nut	M6 Nickel Plated	2 pcs
C	Washer	ø6.2 Nickel Plated	2 pcs
D	Lock Washer	ø6.5 Nickel Plated	2 pcs

### Hardware (Not Included)

D Batteries	2 pcs
-------------	-------

## Operating Instructions

### Operating Rotisserie

**▲ WARNING:** Basic safety precautions should always be used, including the following:

1. Most grill surfaces and accessories are hot during and after cooking. Use caution around grill. Wear a flame retardant BBQ mitt.
2. Do NOT use accessory attachments on the rotisserie that were not supplied by the manufacturer. This may cause injuries. Do NOT use this appliance for other than intended use.
3. Never cover bottom of your grill bowl with aluminum foil, sand or any grease absorbent substances.
4. Should a grease fire occur, turn burners to ● (OFF) position and turn the regulator valve clockwise into the the "OFF" position. Close lid until fire is out.
5. Do NOT let children operate grill or rotisserie. Do NOT let children play nearby.
6. Allow to cool before adding or removing parts.
7. When rotisserie is cooking, place a drip pan under the food to be cooked. This will capture the drippings and keep grill clean of excess grease, which could cause a fire. Use caution when moving a drip pan containing hot oils.
8. This rotisserie is for outdoor use only and with this grill only.

**▲ CAUTION:** If burner flame goes out during operation, immediately turn the gas "OFF" and open lid to let the gas clear for about 5 minutes before re-lighting.

**▲ WARNING:** Install batteries correctly observing the +/- polarity signs.

**▲ WARNING:** Remove exhausted batteries and batteries not used for extended periods.

**▲ WARNING:** Store unused batteries in their pack, away from metal objects that may cause a short circuit.

**▲ WARNING:** Only recharge rechargeable batteries. Do not open or dispose of batteries in fire as they may explode.

**▲ WARNING:** Batteries should only be replaced by a responsible adult.

**▲ WARNING:** Do not mix old and new batteries

**▲ WARNING:** Do not mix alkaline, standard (carbon-zinc), or rechargeable (ni-cad, ni-mh, etc.) batteries

**▲ WARNING:** When rotisserie motor is not in use, remove

and store in a dry indoor area.

**▲ WARNING:** OUTDOOR USE ONLY. DO NOT EXPOSE TO RAIN.

### Attaching Meat

1. Attach rotisserie motor per "Assembly Instructions – Rotisserie" section.
2. Attach rotisserie counterweight and handle to rotisserie rod (Figure 1).
3. Slide one rotisserie fork onto rod (Figure 2).
4. Push rotisserie rod through the middle of the meat and evenly attach to the prongs of the rotisserie fork (Figure 3).
5. Attach second rotisserie fork onto rod and insert prongs into meat. Tighten rotisserie forks (Figure 4).
6. Insert rotisserie rod into motor and place other end of rod into grooves on bottom bowl (Figures 5 and 6).
7. Turn rotisserie motor "ON" to test meat placement. Note: Heavy side of meat should rotate down towards the bottom bowl. Adjust counterweight if needed for a proper balance. If meat still does not rotate properly, remove meat and remount for a proper balance.
8. Light grill per "Operating Infrared Back Burner" lighting instructions. Note: Cooking grid can be removed if necessary.
9. Keep lid closed during cooking.

### Replacing the batteries (See "Assembly Instructions Step 2)

1. Remove rotisserie box back cover.
2. Replace D batteries (2).
3. Replace rotisserie box back cover.

Figure 1

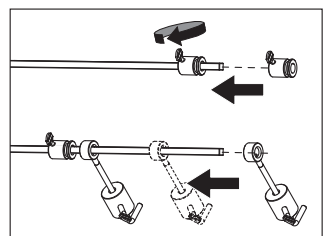


Figure 2

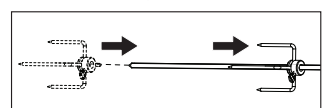


Figure 3

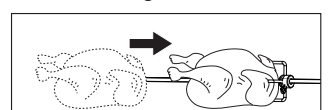


Figure 4

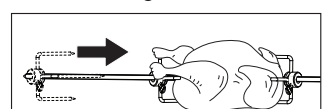


Figure 5

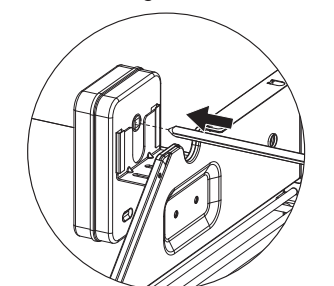
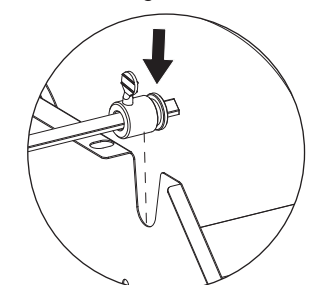
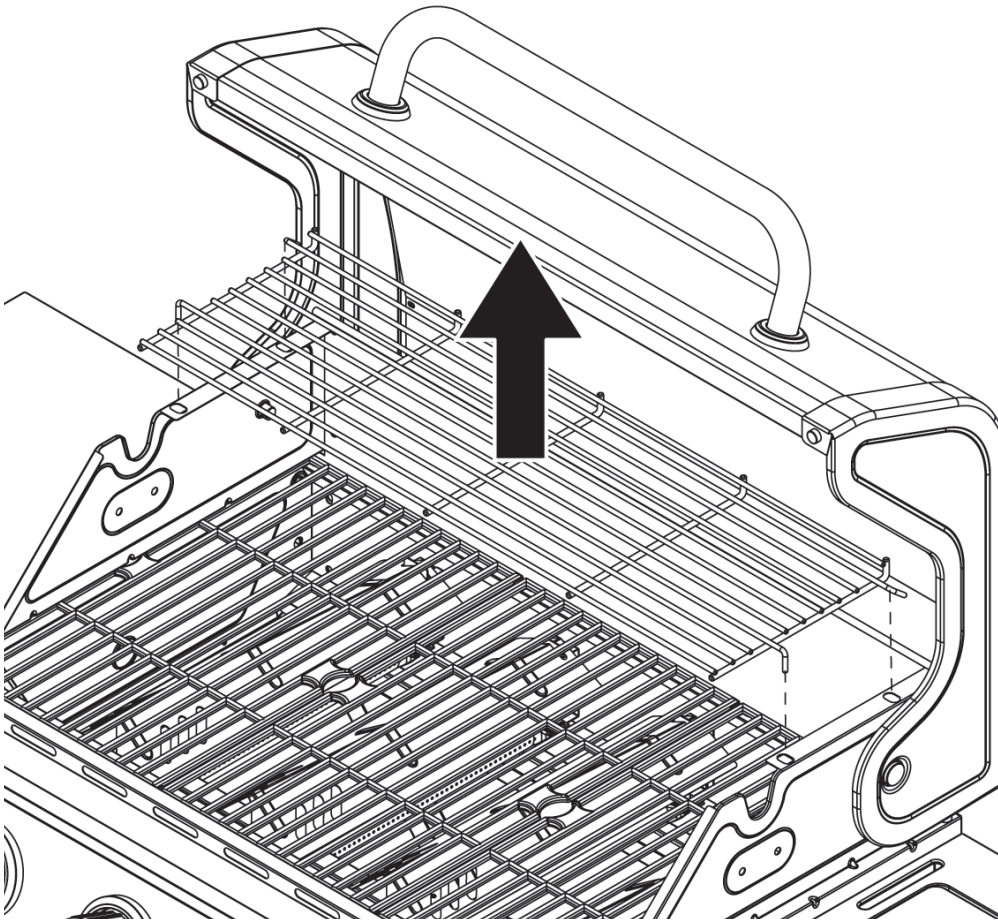


Figure 6

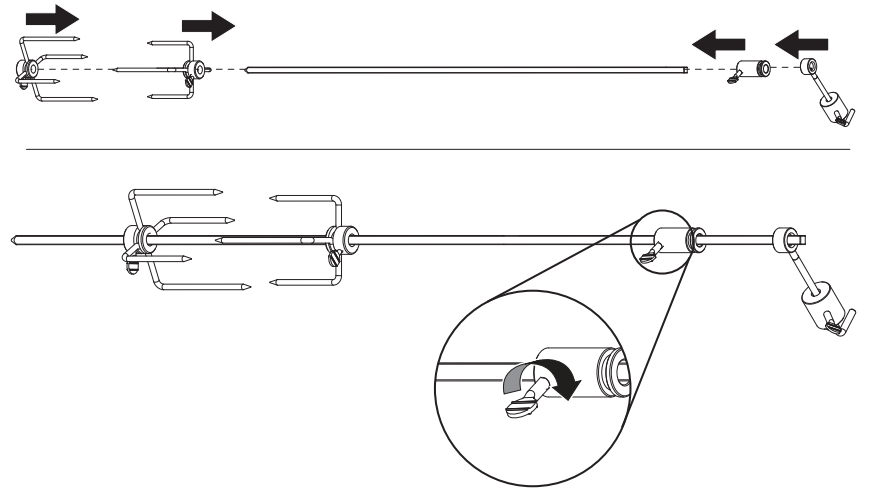


# Assembly Instructions

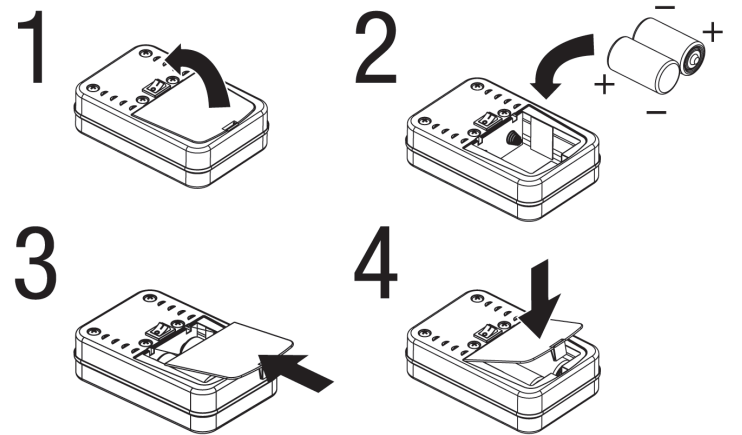
## 1 Remove Warming Rack



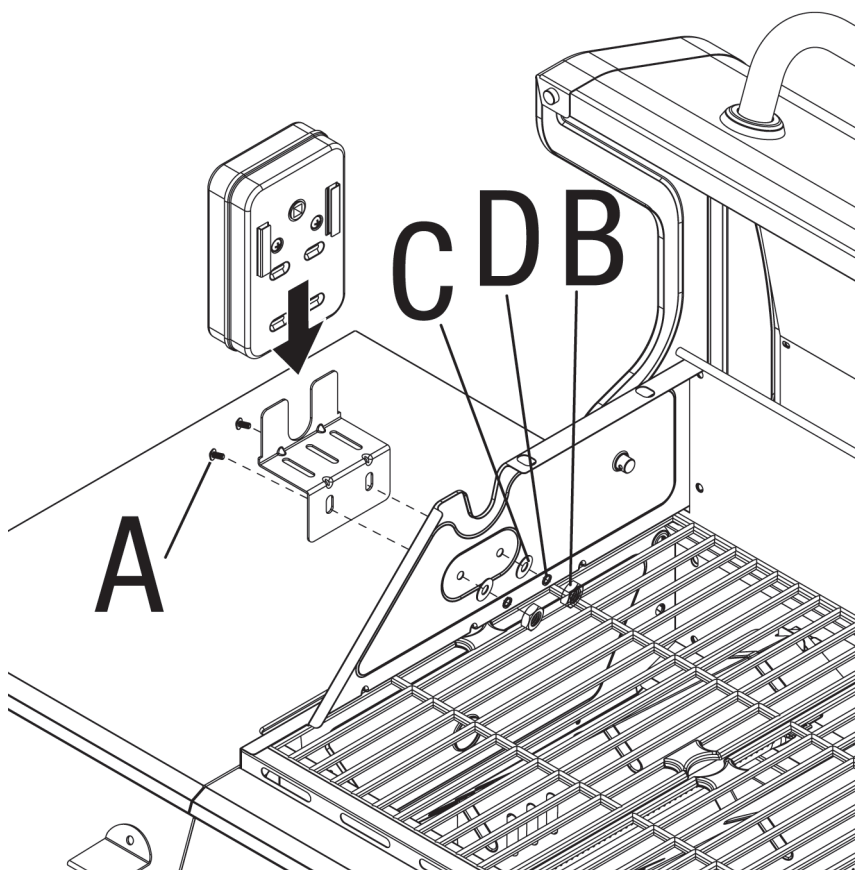
## 2 Assemble Rotisserie Rod



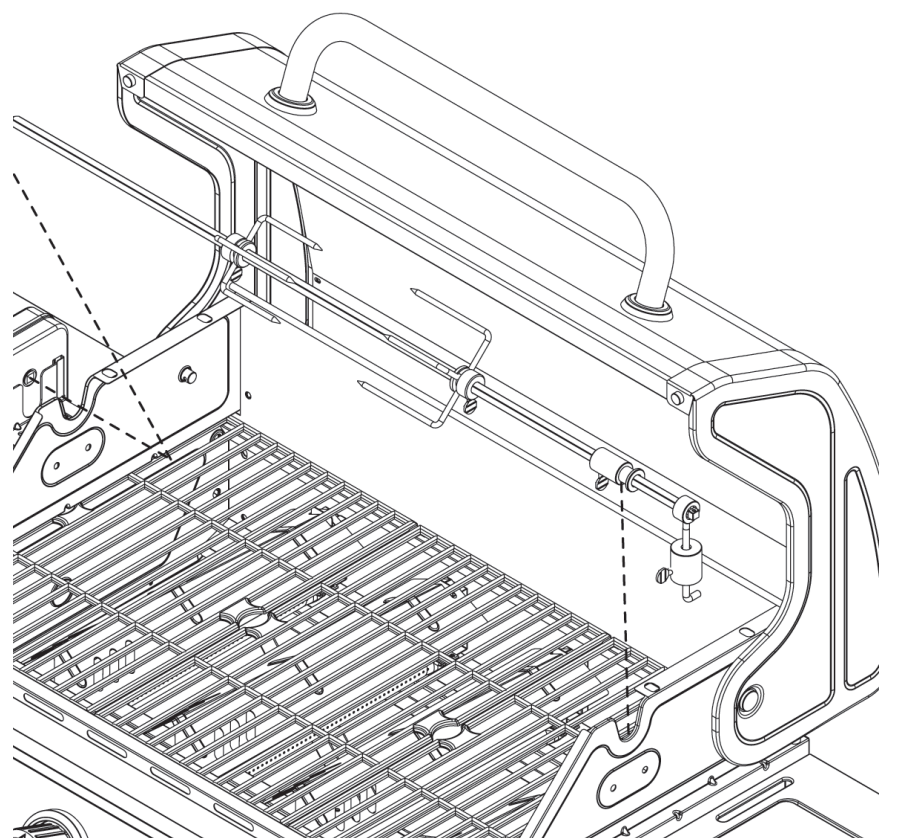
### Insert D Batteries (Not Included)



## 3 Attach Rotisserie Motor Support and Rotisserie Motor



## 4 Insert Rotisserie Rod



- A  x2
- B  x2
- C  x2
- D  x2